

CEMENT CORPORATION OF INDIA LIMITED
TANDUR CEMENT FACTORY
P.O. CCI TANDUR - 501 158, R.R.Dt., (TELANGANA)
CIN No. U74899DLI965GOI004322

E-Mail: mm_tdo@ccilttd.in

Website: www.ccilttd.in

NIT NO.: TCF/MM/3172/23/Ref

Dated: 07.12.2024

NOTICE INVITING E-TENDER
(Only through e-procurement)

Online electronic bids through Electronic Tendering System (ETS) are invited from Manufacturers having adequate experience for **Supply of Bush Bearing with Housing.**

The complete set of tender documents is available on websites www.ccilttd.in, and www.etenders.gov.in/eprocure/app.

E-TENDER NO.	TCF/MM/3172/23/Ref
MODE OF TENDER	e-Procurement System (Online Part A - Techno-Commercial Bid and Part B - Price Bid) through www.etenders.gov.in/eprocure/app
Date of NIT available to parties to download	From 09.12.2024 (10.00 hrs.) Till 23.12.2024 (14.30 hrs.)
Earnest Money Deposit	Waived Off
Last date of submission of valid SSI/NSIC/MSME certificate and other documents required as per tender terms & conditions under covering letter	23.12.2024 (15:00 hrs.)
Date of Starting of e-Tender for submission of on line Techno-Commercial Bid and Price Bid at www.etenders.gov.in/eprocure/app	From 09.12.2024 (10:00 hrs.) Till 23.12.2024 (15:00 hrs.)
Date & time of opening of Part-A (i.e. Techno-Commercial Bid) Part-B Price Bid: Date of opening of Part-B i.e. price bid shall be informed separately No reverse auction shall be conducted.	24.12.2024 at 15.30 hrs. To be communicated separately.
Validity of bids	120 days from the date of the techno-commercial bid opening.

Offer is invited for the following on FIRM & FOR destination basis as per details given below: -

SCHEDULE OF MATERIAL: -

NIT No.	Name of the item	Quantity
TCF/MM/ 3172/23/Ref	1. Bush Bearing with Housing, 65mm dia, High Chrome for Bucket Elevator, NBC-300 (Tail Shaft Bearing Unit) Make: M/s. Mahindra Tsubaki Conveyor System (or) its equivalent	02 Nos

- 1) Only those tenders will be considered who fulfill the terms & conditions mentioned in the tender documents.
- 2) Only those tenders shall be considered who deposit the earnest money by due date
- 3) The price- bid should be only as per CCI's price - bid format otherwise the tender is liable for rejection.

The tender documents comprise of following:-

Annexure-XI	Important Instructions to Bidders
	Covering letter, Part-I - Instruction to tenderers, Part-II- General terms & conditions, Integrity Pact and Annexures 1 to 9 available in CCI web site https://www.cci.ltd.in/UserFiles/files/GTC2.pdf .
Annexure-XII	Part-III- Special Terms & Conditions
Annexure-XIII	Part-IV- Technical Specifications
Annexure-XIV	Price Bid Proforma (Price schedule) to be submitted duly filled in on-line as Part-B. Cost break up rates quoted may also be furnished.

Please read the Part – I (Instructions to tenderers), Part- II (General Terms & Conditions) available on tender portal of www.cci.ltd.in and Part- III (Special Terms & Conditions) & Part- IV (Technical specifications) of this tender and submit Declaration letter (Annexure-9)duly signed and stamped in letter head of having read and understood the GTC.

Important instructions for E-procurement

This is an e-procurement event of CEMENT CORPORATION OF INDIA. You are requested to read the tender terms & conditions (**Annexure: I to VII**) of this tender before submitting your online tender. Tenderers who do not comply with the conditions with documentary proof (wherever required) will not qualify in the Tender for opening of price bid.

1	<p>Process of E-Tender: Registration: The process involves vendor's registration with www.etenders.gov.in/eprocare/app. Only after registration, the vendor(s) can submit his/their bids electronically. Electronic Bidding for submission of Techno-Commercial Bid as well as Price Bid over the internet will be done. The Vendor should possess Class III signing type digital certificate. Vendors are to make their own arrangement for bidding from a P.C. connected with Internet. (Bids will not be recorded without Digital Signature). SPECIAL NOTE: THE PRICE BID AND THE TECHNO-COMMERCIAL BID HAS TO BE SUBMITTED ON-LINE AT www.etenders.gov.in/eprocare/app Vendors are required to register themselves online with www.etenders.gov.in/eprocare/app → 'Online Bidder Enrollment' link. Filling up details and creating own user id and password→ Submit. Vendors will receive a system generated mail confirming their registration in their email which has been provided during filling the registration form.</p> <p>Contact person (Cement Corporation of India):</p> <table border="1" data-bbox="279 1171 1448 1493"> <thead> <tr> <th>Name</th> <th>Email</th> <th>Land Line</th> <th>Mobile</th> </tr> </thead> <tbody> <tr> <td>P Prabakaran, AGM(MM)</td> <td>mm_tdo@ccilttd.in</td> <td></td> <td>07799938023</td> </tr> <tr> <td>P.C.Agarwal DGM (MECH.)</td> <td>ccitdomech@rediffmail.com</td> <td></td> <td>07799938007</td> </tr> <tr> <td>C.Amit Joseph DM (MM)</td> <td>ccimm_tdo@rediffmail.com</td> <td></td> <td>07799938185</td> </tr> </tbody> </table> <p>B) System Requirement: Windows 8,10 Professional Operating System, Internet Browser-9,10 &11. Signing type Class 3 digital signature Java JRE 6 and above THE VENDORS ARE ADVISED TO GO THROUGH THE 'CONTACT US' AT www.etenders.gov.in/eprocare/app FOR GENERAL GUIDANCE ABOUT TENDER PROCESS</p>	Name	Email	Land Line	Mobile	P Prabakaran, AGM(MM)	mm_tdo@ccilttd.in		07799938023	P.C.Agarwal DGM (MECH.)	ccitdomech@rediffmail.com		07799938007	C.Amit Joseph DM (MM)	ccimm_tdo@rediffmail.com		07799938185
Name	Email	Land Line	Mobile														
P Prabakaran, AGM(MM)	mm_tdo@ccilttd.in		07799938023														
P.C.Agarwal DGM (MECH.)	ccitdomech@rediffmail.com		07799938007														
C.Amit Joseph DM (MM)	ccimm_tdo@rediffmail.com		07799938185														
2	<p>(A) Part-A Techno-Commercial bid will be opened electronically on specified date and time as given in the NIT. Bidder(s) can witness electronic opening of bid. (B) Part-B Price bid will be opened electronically of only those bidder(s) who's Part-A Techno- Commercial Bid is found to be Techno-Commercially acceptable by CCI. Such bidder(s) will be intimated date of opening of Part-B Price bid, through valid email</p>																

	<p>confirmed by them.</p> <p>Note: The tenderers are advised to offer their lowest possible rates taking into account the prevailing market conditions. There would generally be no negotiations hence please submit your most competitive prices while submitting the price bid. However, if the rate is still considered high, action as per prevailing instruction/guideline shall be taken.</p>
3	All entries in the tender should be entered in online Technical & Commercial Formats without any ambiguity.
4	In case of failure to access the payment towards cost of tender document & EMD for any reason, the vender, in term, will not have the access to on line e-tender and no correspondence in this respect will be entertained and CCI will not be responsible for any such lapses on this account. Bidder(s) are advised to make remittance of tender fee and EMD through Online well in advance and verify completion of transaction in respect of tender fee and EMD. Vendors are instructed to upload documents in document library. Multiple documents can be uploaded. Maximum size of single document for upload is 5 MB. Once documents are uploaded in the library, vendors can attach documents through Attach Document link against the particular tender. For further assistance please follow instructions of Vendor Help Manual
5	All notices/corrigendum and correspondence to the bidder(s) shall be sent by email only during the process till finalization of tender by CCI. Hence the bidders are required to ensure that their corporate email I.D. provided is valid and updated at the stage of registration of vendor with CPP Portal (i.e. Service Provider). Bidders are also requested to ensure validity of their DSC (Digital Signature Certificate).
6	The responsibility of downloading the related corrigenda, if any, will be that of the downloading parties.
7	E-tender cannot be accessed after the due date and time mentioned in NIT.
8	<p>Bidding in e-tender:</p> <p>a) Bidder(s) need to submit necessary EMD and Tender fees (If ANY) to be eligible to bid online in the e-tender. Tender fees are non-refundable. No interest will be paid on EMD. EMD of the unsuccessful bidder(s) will be refunded by CCI.</p> <p>b) The process involves Electronic Bidding for submission of Techno Commercial Bid as well as Price Bid is explained in Help Manual. 1) In all cases, bidder should use their own ID and Password along with Digital Signature at the time of submission of their bid. 2) During the entire e-tender process, the bidders will remain completely anonymous to one another and also to everybody else.</p> <p>c) The e-tender floor shall remain open from the pre-announced date & time and for as much duration as mentioned above.</p> <p>d) All electronic bids submitted during the e-tender process shall be legally binding on the bidder. Any bid will be considered as the valid bid offered by that bidder and acceptance of the same by the Buyer will form a binding contract between Buyer and the Bidder for execution of supply. Such successful tenderer shall be called hereafter SUPPLIE</p>

	<p>e) It is mandatory that all the bids are submitted with digital signature certificate otherwise the same will not be accepted by the system. Buyer reserves the right to cancel or reject or accept or withdraw or extend the tender in full or part as the case may be without assigning any reason thereof.</p> <p>f) No deviation of the terms and conditions of the tender document is acceptable. Submission of bid in the e-tender floor by any bidder confirms his acceptance of terms & conditions for the tender.</p> <p>g) Unit of Measure (UOM) is indicated in the e-tender Floor. Rate to be quoted should be in Indian Rupee as per UOM indicated in the e-tender floor/tender document.</p>
9	Any order resulting from this open e-tender shall be governed by the terms and conditions mentioned therein.
10	No deviation to the technical and commercial terms & conditions are allowed.
11	After submitting online bid, the bidder cannot access the tender, once it has been submitted with digital signature
12	CCI has the right to cancel this e-tender or extend the due date of receipt of bid(s) without assigning any reason thereof.
13	The online tender should be submitted strictly as per the terms and conditions and procedures laid down in the website www.etenders.gov.in/eprocure/app .
14	The bidders must upload all the documents required as per terms of NIT. Any other document uploaded which is not required as per the terms of the NIT shall not be considered.
15	The bid will be evaluated based on the filled-in technical & commercial formats.
16	The documents uploaded by bidder(s) will be scrutinized. In case any of the information furnished by the bidder is found to be false during scrutiny, punitive action including suspension and banning of business can also be taken against defaulting bidders.
17	Bidders are requested to read the vendor guide in the page www.etenders.gov.in/eprocure/app to familiarize themselves with the system before bidding.

For and on behalf of CCI Ltd.

HOD (MM)

**CEMENT CORPORATION OF INDIA LIMITED
TANDUR CEMENT FACTORY**

PART- III : SPECIAL TERMS AND CONDITIONS FOR SUPPLY OF BUSH BEARING WITH HOUSING.

This tender contains Part-I and Part-II general terms, Part-III special terms and conditions, Part IV Specifications and price bid. Please read the Part – I (Instructions to tenderers), Part- II (General Terms & Conditions) available on tender portal of www.ccltd.in and Part- III (Special Terms & Conditions) & Part- IV (Technical specifications) of this tender and submit Declaration letter (Annexure-9), Preference to Make in India (annexure -10) in letter head duly signed and stamped in letter head of having read and understood the GTC along with Annexure 1 to 10.

In addition to the General Terms and conditions of the tender Part- I & II the following Special terms and conditions also apply to the contract for the supply of above category of material. These special terms and conditions if contradictory to any of the conditions given in Part-I & II shall prevail upon the conditions given therein:-

01) SPECIFICATION : As per Annexure VI Technical specifications .

02) QUANTITY:

Spares for Coal Mill ESP :

1. Bush Bearing with Housing, 65mm dia, - Qty 02 Nos
High Chrome for Bucket elevator, NBC-300
(Tail Shaft Bearing Unit)
Make: M/s. Mahindra Tsubaki Conveyor System (or) its equivalent

03) **PRICES:** The rate should be quoted in prescribed price bid format in Indian Currency i.e. INR only as per Annexure enclosed. **Price quoted other than INR will be rejected outrightly**

- a) Price should be quoted on FIRM basis with the transportation charges may be quoted in lumpsum as per the price bid format. Material will be unloaded at our site and unloading charges shall be to CCI account. The price quoted should be firm and no revision in the price tendered will be permitted during the period of contract or in the extended period of the contract.

The L-1 rate will be arrived considering landed cost of the material after GST credit etc.

04) **GST-TDS @ 2 % will be deducted at source as TDS on GST**

Incase GST is mentioned as '0'/kept blank in price bid, it shall be treated as inclusive and landed cost shall be arrived for comparison by debiting the input credit from the from the quoted rates

GST will be reimbursed to party after the same was paid by him to Govt. & upload the Invoice in GST portal

The L-1 rate will be arrived considering landed cost of the material after GST credit etc.

04) STATUTORY LEVIES:

It is the sole responsibility of the supplier that he complies with all statutory requirements regarding supply of equipment, payment of statutory levies etc. The supplier indemnifies CCI against any breach of statutory rules / their non-compliance.

05) DELIVERY SCHEDULE:

Material is to be supplied within 2-3 Months from the date of placement of LOI / Order

06) LIQUIDATED DAMAGES:

(a) If the value of order is \leq Rs. 10.0 lakhs or duration is \leq 3 months then L.D is to be recovered 0.5% per week or part thereof, subject to maximum limit of 10% of the total value of the order. (b) If the value of order is $>$ Rs. 10.0 lakhs or duration is $>$ 3 months L.D is to be recovered is 0.5% per fortnight or part thereof, subject to maximum limit of 5% of the total value of the order.

07) Payment terms: 97% value of the order within 30 days of successful completion of supply and balance 03% after successful completion of guarantee/ warranty period. This 03 % can also be paid against submission of Bank Guarantee for equivalent amount towards performance Guarantee.

08) EARNEST MONEY DEPOSIT (EMD) : Waived Off

09) SECURITY DEPOSIT

Successful tenderer(s) shall have to furnish a Security Deposit equivalent to 05% (Five percent) value of the order by way of Demand Draft / Bank Guarantee (In CCI's format) in terms of Clause No. 2 of Part- II of the tender documents for satisfactory completion of the contract. S.D. will be refunded after 3 months of successful completion of supplies.

10) PERFORMANCE GUARANTTEE

Successful tenderer(s) shall have to furnish 03% (Three percent) value of the order by way of Bank Guarantee (In GeM's format) towards performance Guarantee for satisfactory performance of the equipments supplied. The P.G. shall be refunded after successful completion of guarantee/ Warranty period. The claim period shall be within 3 months after warranty period.

11) CCI has the rights to place "**Repeat Order**" at the same rate, terms & conditions of original order with the consent of the supplier

PART-IV

Technical Specifications

1. Bush Bearing with Housing, 65mm dia, - Qty 02 Nos
High Chrome for Bucket elevator, NBC-300
(Tail Shaft Bearing Unit)
Make: M/s. Mahindra Tsubaki Conveyor System (or) its equivalent

**CEMENT CORPORATION OF INDIA LIMITED
TANDUR CEMENT FACTORY**

TCF/MM/3172/23/Ref

PRICE BID FORMAT

Annexure XIV

Name of the Bidder/ Bidding Firm/ Company:	
--	--

PRICE SCHEDULE
a) The L-1 rate will be arrived manually considering Landed cost of the material after GST input credit etc.

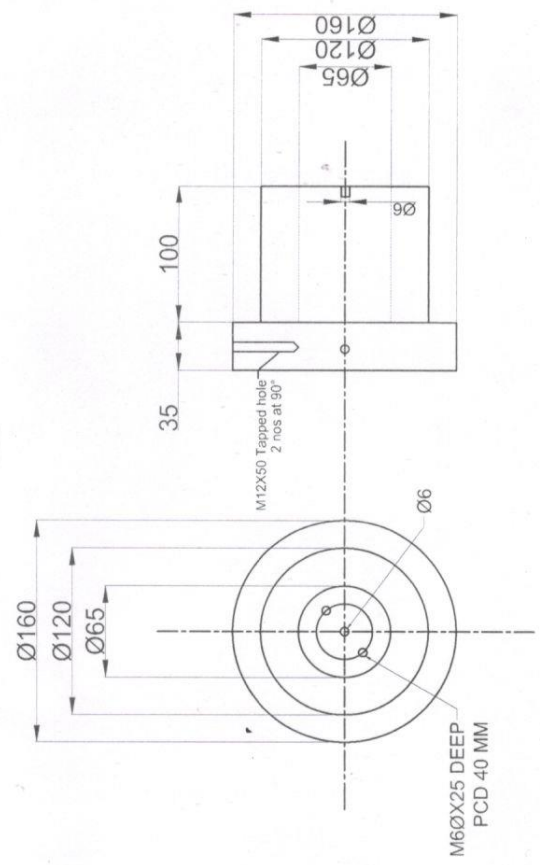
NUMBER #	TEXT #	NUMBER #	TEXT #	NUMBER #	TEXT #	NUMBER #	TEXT #	NUMBER #	TEXT #	NUMBER #	TEXT #	NUMBER #	TEXT #
SI. No.	Item Description	Quantity	Units	Unit rate including freight charges	GST In Percentage (%)	HSN Code of Item	TOTAL AMOUNT Without Taxes	TOTAL AMOUNT With Taxes	TOTAL AMOUNT In Words				
1	SUPPLY OF Bush Bearing with Housing	4											
1.01	Bush Bearing with Housing, 65mm dia, High Chrome for Bucket elevator, NBC-300 (Trail Shaft Bearing Unit) Make: Ms. Mahindra Tsubaki Conveyor System (or) Its equivalent	2.00	Nos				0.00	0.00	INR Zero Only				
Total In Figures										0.00	0.00	INR Zero Only	
Quoted Rate in Words										INR Zero Only			

PLACE :
DATE :

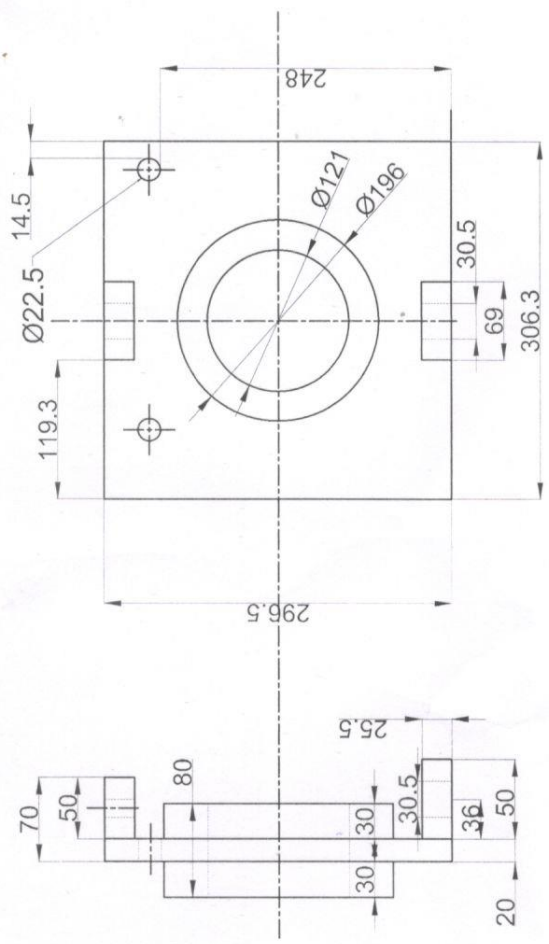
**SIGNATURE OF THE TENDERER
WITH SEAL**



2



1



NOTE : MOC

- 1) HIGH-CHROMIUM ALLOY STEEL
- 2) COMPOSITION:- CARBON 2.6-2.8%, CHROMIUM 11.3-12.5%, NICKEL 0.1-0.3%, MANGANESE 0.3-0.5%, MOLYBDENUM 0.04-0.06%, VANADIUM 0.3-0.5%, TITANIUM 0.005-0.006%, COPPER 0.7-0.8%, P≤0.03, S≤0.03, SURPLUS ARE IRON

		CEMENT CORPORATION OF INDIA LTD. CCI-TANDUR 501158 T.G. INDIA	
DRAWN BY	VANSHI	TITLE	HIGH CR BEARING BUSH FOR P.U.F BUCKET ELEVATOR
CHECK BY		APPROV BY	
DATE		SCALE	
DRG. NO.		C-CCI-TDR-RM/2A-03/158	